

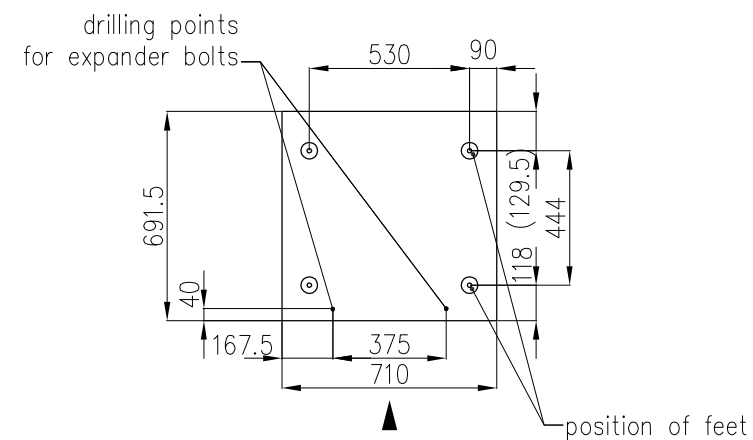
## TECHNICAL SPECIFICATION

Capacity:	1:10 – 8 kg / 18 lbs max. 1:9 – 9 kg / 20 lbs
Inner drum dimensions:	
diameter	530 mm / 20.9"
Drum volume:	75 dm <sup>3</sup> / 19.8 gal
Drum revolutions:	
wash	49 rpm
high extraction	1165 rpm
G-force:	400
Machine dimensions (max.):	
width	710 mm / 28"
depth	790 mm / 31.1"
height	1140 mm / 44.9"
Weight:	
netto	185 kg / 408 lbs
brutto	200 kg / 441 lbs
Machine electrical execution	E: 3x380–415V+N 50Hz S: 1x200–240V 50Hz (B)
Rated motor power	0.75 kW
Rated heating power input	6 kW
Rated input power of the machine	E: 6.7 kW S: 0.85 kW (B)
Power supply protection – with el. heating – without heating	6 kW/3AC 400V/16A 1AC 10A
Conductors section (E / S)	5x2.5 mm <sup>2</sup> Cu / 3x1.5 mm <sup>2</sup> Cu
Connections:	
water connection – standard / option	2x <sup>3</sup> / <sub>4</sub> " / 3x <sup>3</sup> / <sub>4</sub> "
water pressure	0.3 ÷ 0.5 MPa / 44÷73 psi
drain connection – valve / pump	ø76/ø33.5 mm / 3"/1.32"
Steam connection BSP	DN15 <sup>1</sup> / <sub>2</sub> "
Steam pressure	0.1÷0.8 MPa
Connections to liquid detergents:	8xø8 + 3xø12
Max. static load (with textile and water)	2.3 kN (B)
Max. dynamic load (intermittent vibrations)	1.9 ± 0.5 kN
Frequency of dynamic load	19.4 Hz

### LEGEND:

1. Control panel
2. Door handle
3. Soap dispenser
4. Centralstop button
5. Liquid soap connection
6. Cold soft water inlet
7. Cold hard water inlet
8. Hot water inlet
9. Electrical connection
10. Main switch
11. Electrical connection to liquid soap pumps
12. Fuses
13. USB port
14. Drain outlet (valve)
15. Drain outlet (pump)
16. Steam inlet
17. Drain hose–pump version

### FOUNDATION PLAN VIEW



	FX80	Date:	08/2011	No.	01–301–2
		Author:	RJ	Index/date	B/09.2013
		WASH-EXTRACTOR			