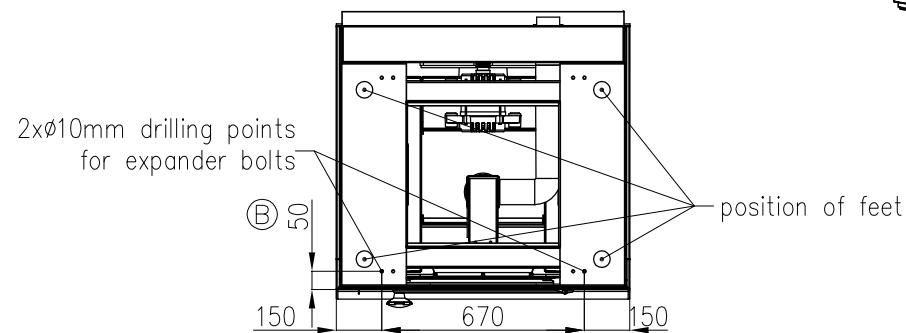


ANCHORING



**LEGEND:**

1. Control panel
2. Door handle
3. Soap dispenser
4. Central stop button
5. Liquid soap connection
6. Cold water soft (optional)
7. Cold water hard
8. Hot water
9. Electrical connection
10. Main switch
11. Electrical connection to liquid soap pumps
12. Fuses
13. USB port
14. Drain outlet
15. Steam inlet
16. Inlet of re-used water
17. Cable inlet for control of the valve of re-used water

**TECHNICAL SPECIFICATION**

|  |   |
|--|---|
| Capacity:  | 1:10 – 18kg/40lb<br>max. 1:9 – 20kg/44lb          |
| Inner drum dimensions:<br>diameter                             | 750 mm / 29.5"                                    |
| Drum volume:   | 180 dm <sup>3</sup> / 39.6 gal                    |
| Drum revolutions:<br>wash                                      | 42 rpm  |
| high extraction  | 980 rpm   |
| G-factor:  | 400   |
| Machine dimensions (max.):<br>width                            | 970 mm / 38.2"                                    |
| depth  | 970 mm / 38.2"                                    |
| height   | 1435 mm / 56.7"                                   |
| Weight:<br>netto   | 380 kg / 838 lb                                   |
| brutto   | 395 kg / 871 lb                                   |
| Machine electrical execution:                                  | E: 3x380–415V+N 50Hz<br>S: 1x200–240V 50Hz (A)    |
| Rated motor power:   | 2.2 kW  |
| Rated heating power input:                                     | E: 12 kW  |
| Rated input power of the machine:                              | E: 13.5 kW<br>S: 2.3 kW (A)                       |
| Power supply protection – with el.heating<br>– without heating | 12kW/3AC 400V/25A<br>1AC 20A                      |
| Conductors section (E / S)                                     | 5x4 mm <sup>2</sup> Cu / 3x2.5 mm <sup>2</sup> Cu |
| CONNECTIONS:<br>recommended water pressure                     | 0.3 ÷ 0.5 MPa                                     |
| water connection standard / option                             | 2x 3/4" / 3x 3/4"                                 |
| inlet of re-used water   | Ø19mm   |
| drain connection   | Ø76 mm / 3"                                       |
| flow volume through drain valve                                | 210 l/min   |
| steam inlet  | 1/2"  |
| steam pressure   | 0.1÷0.8 MPa                                       |
| Connections to liquid detergents:                              | 8xØ8 + 3xØ12                                      |
| Max. static load<br>(with textile and water)                   | 4.9 kN (A)  |
| Max. dynamic load<br>(intermittent vibrations)                 | 4 ± 0.7 kN  |
| Frequency of dynamic load                                      | 16.3 Hz   |



FX180

|         |         |            |           |
|---------|---------|------------|-----------|
| Date:   | 01/2012 | No.        | 01-304-2  |
| Author: | TR      | Index/date | B/07.2014 |

WASHER EXTRACTORS